

## Specification sheet LX 854

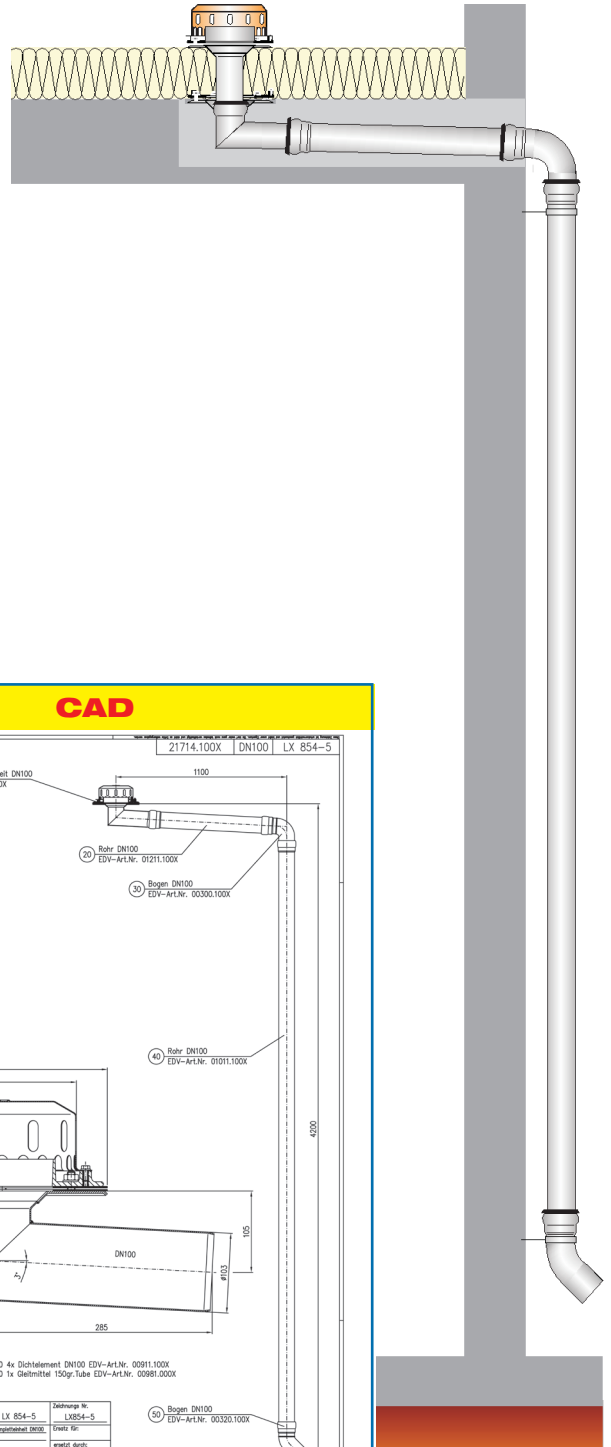
### Roof drainage systems Series 84 DRAINLET®

**Emergency drainage**

**Gravity flow**

**Silent Power**

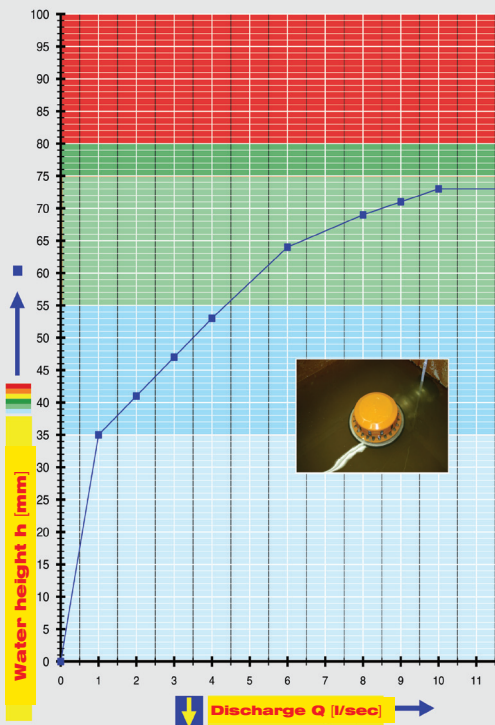
<b>Discharge rate:</b>	<b>11,0 l/sec</b>
<b>Water height:</b>	<b>75 mm</b>
<b>Roof penetration:</b>	<b>-</b>
<b>Diameter:</b>	<b>DN 100</b>
<b>LX-Number:</b>	<b>LX 854</b>
<b>Weir height:</b>	<b>35 mm</b>
<b>Drain:</b>	<b>ventilated</b>
<b>Downpipe:</b>	<b>not ventilated</b>
<b>Downpipe height:</b>	<b>4,2 m</b>
<b>Drainage:</b>	<b>on floor</b>



#### LX 854 Piece list

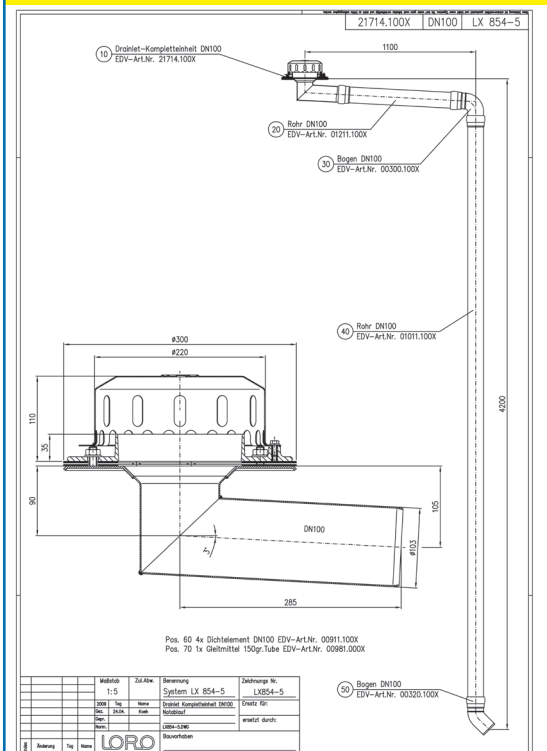
- 1 x Art.-No. choose drain on page two!
- 1 x Art.-No. 01211.100X, LORO-X Pipe with one socket
- 1 x Art.-No. 00300.100X, LORO-X Ben
- 1 x Art.-No. 01011.100X, LORO-X Pipe with one socket
- 1 x Art.-No. 00320.100X, LORO-X Bend
- 4 x Art.-No. 00911.100X, LORO-X Sealing elements
- 1 x Art.-No. 00981.000X, LORO-X Lubricant

#### hQ - Head Discharge curve



**Systempower**

#### CAD



**Systemshape**

Water height	mm	5	10	15	20	25	30	35	40	45	50	55	60	65	70	75
Discharge	l/sec							1	1,7	2,6	3,5	4,4	5,2	6,4	8,5	11
<b>Silent Power</b>																

Choose drain for piece list on page one!

DN 100

without insulation

**LX854-5X**

Drain Art.-No. 21714.100X

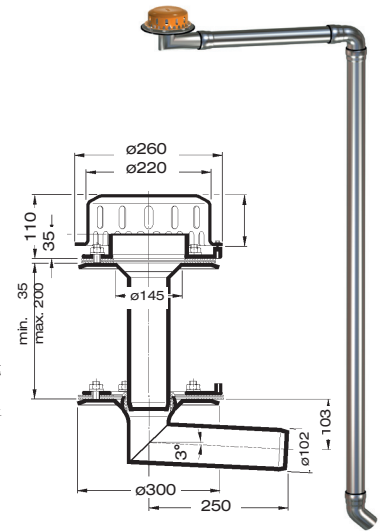
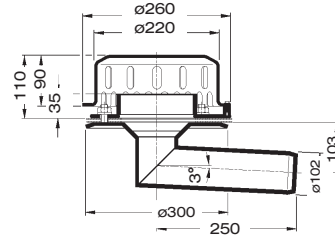
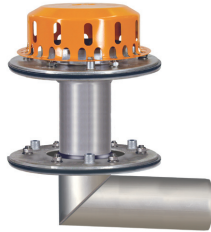
with clamping flange  
one-piece



**LX854-5X**

Drain Art.-No. 21734.100X

with clamping flange  
two-piece



with insulation

**LX854-7X**

Drain Art.-No. 21715.100X

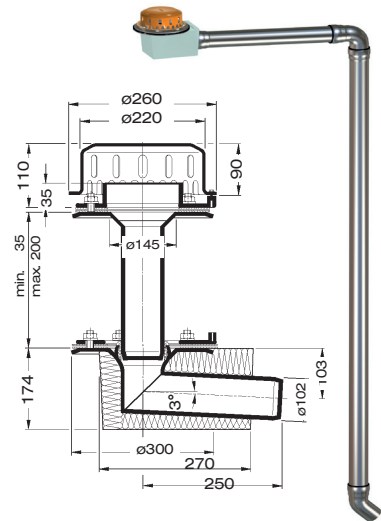
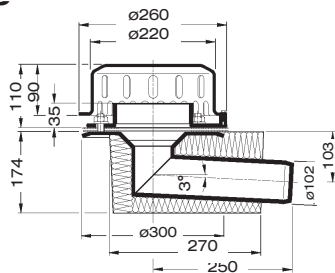
with clamping flange  
one-piece



**LX854-8X**

Drain Art.-No. 21735.100X

with clamping flange  
two-piece

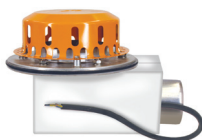


with insulation and heating

**LX854-9X**

Ablauf Art.-Nr. 21716.100X

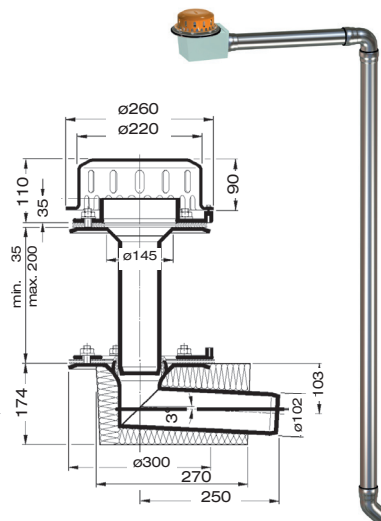
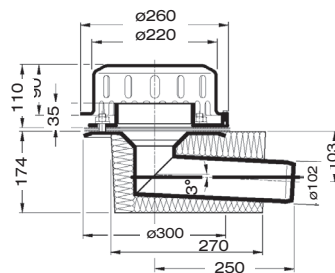
with clamping flange  
one-piece



**LX854-10X**

Ablauf Art.-Nr. 21736.100X

with clamping flange  
two-piece



**Heat tracing:** Lorowerk recommends to check all drains and pipes with regard to their frost-sensibility. Where necessary, these parts should be upgraded with heat tracing.